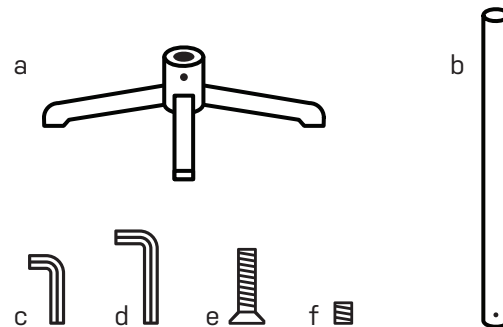


THANK YOU FOR CHOOSING OUR QUALITY PRODUCTS.

In order to enjoy your new product for a long time, please pay attention to our care and handling recommendations.

WHAT'S IN THE BOX:

- a. base
- b. tube
- c. small allen key
- d. big allen key
- e. 1 x main screw (already inside tube)
- f. 2 x fixation screws (already inside base)



ASSEMBLING INSTRUCTIONS:

To avoid unnecessary scratches and enjoy a great looking product for a long time please consider taking off all jewellery and (dis)assembling this product on a soft surface using gloves.

STEP 1: Removing the main screw

By using the big allen key (d) provided, remove the main screw (e) from the tube (b).

STEP 2: Mounting the tube to the base

Mount the tube to the base using the same screw (e) and tighten it with the big allen key (d).

STEP 3: Locating fixation mounts

With the tube fixed to the base, place the base on the floor and locate the two small openings on both sides of the fixture. The fixation screws (f) are already inside.

STEP 4: Securing the base

By using the small allen key (c) provided, tighten the two fixation screws (f) to guarantee the stability of the stand.

