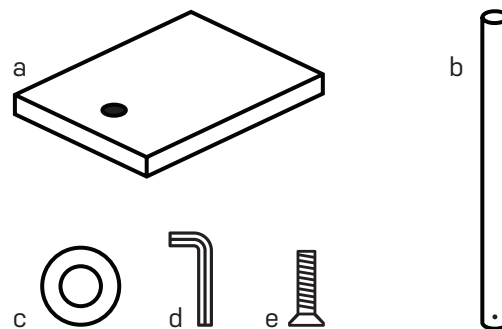


THANK YOU FOR CHOOSING OUR QUALITY PRODUCTS.

In order to enjoy your new product for a long time, please pay attention to our care and handling recommendations.

WHAT'S IN THE BOX:

- a. base
- b. tube
- c. masking ring
- d. allen key
- e. 1 x main screw (already inside tube)

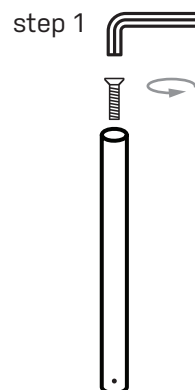


ASSEMBLING INSTRUCTIONS:

To avoid unnecessary scratches and enjoy a great looking product for a long time please consider taking off all jewellery and (dis)assembling this product on a soft surface using gloves.

STEP 1: Removing the main screw

By using the allen key (d) provided, remove the main screw (e) from the tube (b).



STEP 2

STEP 2: Inserting the masking ring

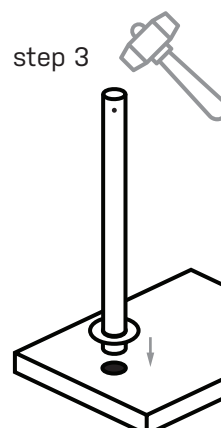
Insert the masking ring (c) 1 - 2 cm down the tube (b) on the **same side** you removed the main screw (e).



CAUTION! Do not push the masking ring more than 2 cm as it will damage the tube finish.

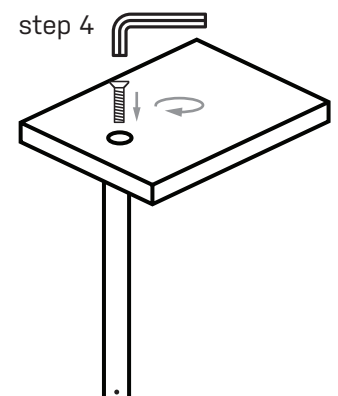
STEP 3: Attaching the tube to the base

Place the tube with the masking ring on the bottom into the base and give it a gentle tap, if needed.



STEP 4: Fixing the tube to the base

Turn the stand upside down and use the main screw (e) to fix the tube at the base and tighten it with the allen key (d).



TIP: If the screw does not tighten, check that the tube is in the correct position (the tube is threaded only on one side).